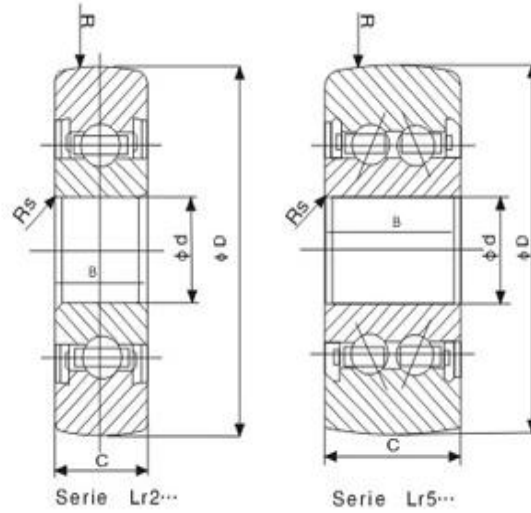


# 带圆柱形外圆或冠形外圆的导轨滚轮-支撑滚轮

Track rollers with cylindrical or crowned outer ring – type LR

d 4~30 mm



Part No.	Dimensions(mm)						Load		Fatigue limit load	Speed limit		Weight(g)
	D	d	B	C	R	Rs	Cw(N)	Cow(N)	Puw(N)	nD	D shield	
LR604 NPP	13	4	4	4		0.2	860	350	7	24000	35000	10
LR604 NPPU	13	4	4	4	500	0.2	860	350	7	24000	35000	10
LR604 KDD	13	4	4	4		0.2	860	350	7	24000	35000	10
LR604 KDDU	13	4	4	4	500	0.2	860	350	7	24000	35000	10
LR605 NPP	16	5	5	5		0.2	1190	490	10	23000	33000	10
LR605 NPPU	16	5	5	5	500	0.2	1190	490	10	23000	33000	10
LR605 KDD	16	5	5	5		0.2	1190	490	10	23000	33000	10
LR605 KDDU	16	5	5	5	500	0.2	1190	490	10	23000	33000	10
LR606 NPP	19	6	6	6		0.3	1740	700	40	22000	31000	10
LR606 NPPU	19	6	6	6	500	0.3	1740	700	40	22000	31000	10
LR606 KDD	19	6	6	6		0.3	1740	700	40	22000	31000	10
LR606 KDDU	19	6	6	6	500	0.3	1740	700	40	22000	31000	10
LR607 NPP	22	7	6	6		0.3	2130	870	46	20000	29000	10
LR607 NPPU	22	7	6	6	500	0.3	2130	870	46	20000	29000	10
LR607 KDD	22	7	6	6		0.3	2130	870	46	20000	29000	10
LR607 KDDU	22	7	6	6	500	0.3	2130	870	46	20000	29000	10
LR608 NPP	24	8	7	7		0.3	2750	1250	58	19000	28000	20
LR608 NPPU	24	8	7	7	500	0.3	2750	1250	58	19000	28000	20
LR608 KDD	24	8	7	7		0.3	2750	1250	58	19000	28000	20
LR608 KDDU	24	8	7	7	500	0.3	2750	1250	58	19000	28000	20
LR6000 NPP	28	10	8	8		0.3	3650	1700	52	17000	24000	20
LR6000	28	10	8	8	500	0.3	3650	1700	52	17000	24000	20
LR6000KDD	28	10	8	8		0.3	3650	1700	52	17000	24000	20
LR6000KDDU	28	10	8	8	500	0.3	3650	1700	52	17000	24000	20
LR6001NPP	30	12	8	8		0.3	4300	2100	77	16000	22000	30
LR6001NPPU	30	12	8	8	500	0.3	4300	2100	77	16000	22000	30
LR6001KDD	30	12	8	8		0.3	4300	2100	77	16000	22000	30
LR6001KDDU	30	12	8	8	500	0.3	4300	2100	77	16000	22000	30
LR200NPP	32	10	9	9		0.6	4350	2130	88	13000	17000	50
LR200NPPU	32	10	9	9	500	0.6	4350	2130	88	13000	17000	50
LR200KDD	32	10	9	9		0.6	4350	2130	88	13000	17000	50
LR200KDDU	32	10	9	9	500	0.6	4350	2130	88	13000	17000	50
LR201NPP	35	12	10	10		0.6	5600	2700	112	12000	15000	50

LR201NPPU	35	12	10	10	500	0.6	5600	2700	112	12000	15000	50
LR201KDD	35	12	10	10		0.6	5600	2700	112	12000	15000	50
LR201KDDU	35	12	10	10	500	0.6	5600	2700	112	12000	15000	50
LR201-15NPP	35	12	15	10		0.6	5600	2700	112	12000	15000	70
LR201-	35	12	15	10	500	0.6	5600	2700	112	12000	15000	70
LR201-	35	12	15	10		0.6	5600	2700	112	12000	15000	70
LR201-	35	12	15	10	500	0.6	5600	2700	112	12000	15000	70
LR202NPP	40	15	11	11		0.6	6500	3300	136	11000	13000	70
LR202NPPU	40	15	11	11	500	0.6	6500	3300	136	11000	13000	70
LR202KDD	40	15	11	11		0.6	6500	3300	136	11000	13000	70
LR202KDDU	40	15	11	11	500	0.6	6500	3300	136	11000	13000	70
LR202-14NPP	40	15	14.4	11		0.6	6500	3300	136	11000	13000	80
LR202-	40	15	14.4	11	500	0.6	6500	3300	136	11000	13000	80
LR202-	40	15	14.4	11		0.6	6500	3300	136	11000	13000	80
LR202-14	40	15	14.4	11	500	0.6	6500	3300	136	11000	13000	80
LR203NPP	47	17	12	12		0.6	8400	4400	183	9000	12000	110
LR203NPPU	47	17	12	12	500	0.6	8400	4400	183	9000	12000	110
LR203KDD	47	17	12	12		0.6	8400	4400	183	9000	12000	110
LR203KDDU	47	17	12	12	500	0.6	8400	4400	183	9000	12000	110
LR204NPP	52	20	14	14		1	10500	5600	233	8000	10000	150
LR204NPPU	52	20	14	14	500	1	10500	5600	233	8000	10000	150
LR204KDD	52	20	14	14		1	10500	5600	233	8000	10000	150
LR204KDDU	52	20	14	14	500	1	10500	5600	233	8000	10000	150
LR205NPP	62	25	15	15		1	12500	7100	291	7000	8500	230
LR205NPPU	62	25	15	15	500	1	12500	7100	291	7000	8500	230
LR205KDD	62	25	15	15		1	12500	7100	291	7000	8500	230
LR205KDDU	62	25	15	15	500	1	12500	7100	291	7000	8500	230
LR206NPP	72	30	16	16		1	16600	9600	391	5500	7500	330
LR206NPPU	72	30	16	16	500	1	16600	9600	391	5500	7500	330
LR206KDD	72	30	16	16		1	16600	9600	391	5500	7500	330
LR206KDDU	72	30	16	16	500	1	16600	9600	391	5500	7500	330
LR207NPP	80	35	17	17		1.1	20200	11900	490	4500	6300	400
LR207NPPU	80	35	17	17	500	1.1	20200	11900	490	4500	6300	400
LR207KDD	80	35	17	17		1.1	20200	11900	490	4500	6300	400
LR207KDDU	80	35	17	17	500	1.1	20200	11900	490	4500	6300	400
LR208NPP	85	40	18	18		1.1	22800	13600	530	4000	5000	450
LR208NPPU	85	40	18	18	500	1.1	22800	13600	530	4000	5000	450
LR208KDD	85	40	18	18		1.1	22800	13600	530	4000	5000	450
LR208KDDU	85	40	18	18	500	1.1	22800	13600	530	4000	5000	450
LR209NPP	90	45	19	19		1.1	22500	13700	564	3600	4500	500
LR209NPPU	90	45	19	19	500	1.1	22500	13700	564	3600	4500	500
LR209KDD	90	45	19	19		1.1	22500	13700	564	3600	4500	500
LR209KDDU	90	45	19	19	500	1.1	22500	13700	564	3600	4500	500
LR50/5NPP	17	5	7	7		0.2	1650	950	39	12000	16000	10
LR50/5NPPU	17	5	7	7	500	0.2	1650	950	39	12000	16000	10
LR50/5KDD	17	5	7	7		0.2	1650	950	39	12000	16000	10
LR50/5KDDU	17	5	7	7	500	0.2	1650	950	39	12000	16000	10
LR50/6NPP	19	6	9	9		0.3	2650	1310	54	11000	15000	20
LR50/6NPPU	19	6	9	9	500	0.3	2650	1310	54	11000	15000	20
LR50/6KDD	19	6	9	9		0.3	2650	1310	54	11000	15000	20
LR50/6KDDU	19	6	9	9	500	0.3	2650	1310	54	11000	15000	20
LR50/7NPP	22	7	10	10		0.3	3300	1690	69	10000	14000	20
LR50/7NPPU	22	7	10	10	500	0.3	3300	1690	69	10000	14000	20
LR50/7KDD	22	7	10	10		0.3	3300	1690	69	10000	14000	20

LR50/7KDDU	22	7	10	10	500	0.3	3300	1690	69	10000	14000	20
LR50/8NPP	24	8	11	11		0.3	4200	2360	120	10000	14000	30
LR50/8NPPU	24	8	11	11	500	0.3	4200	2360	120	10000	14000	30
LR50/8KDD	24	8	11	11		0.3	4200	2360	120	10000	14000	30
LR50/8KDDU	24	8	11	11	500	0.3	4200	2360	120	10000	14000	30
LR5000NPP	28	10	12	12		0.3	4750	2850	118	9000	13000	30
LR5000NPPU	28	10	12	12	500	0.3	4750	2850	118	9000	13000	30
LR5000KDD	28	10	12	12		0.3	4750	2850	118	9000	13000	30
LR5000KDDU	28	10	12	12	500	0.3	4750	2850	118	9000	13000	30
LR5001NPP	30	12	12	12		0.3	4950	3100	128	8500	11000	30
LR5001NPPU	30	12	12	12	500	0.3	4950	3100	128	8500	11000	30
L5001KDD	30	12	12	12		0.3	4950	3100	128	8500	11000	30
LR5001KDDU	30	12	12	12	500	0.3	4950	3100	128	8500	11000	30
LR5002NPP	35	15	13	13		0.3	6500	4100	170	7000	10000	50
LR5002NPPU	35	15	13	13	500	0.3	6500	4100	170	7000	10000	50
LR5002KDD	35	15	13	13		0.3	6500	4100	170	7000	10000	50
LR5002KDDU	35	15	13	13	500	0.3	6500	4100	170	7000	10000	50
LR5003NPP	40	17	14	14		0.3	7700	5200	214	6000	9000	70
LR5003NPPU	40	17	14	14	500	0.3	7700	5200	214	6000	9000	70
LR5003KDD	40	17	14	14		0.3	7700	5200	214	6000	9000	70
LR5003KDDU	40	17	14	14	500	0.3	7700	5200	214	6000	9000	70
LR5004NPP	47	20	16	16		0.6	11500	7700	317	5500	8000	120
LR5004NPPU	47	20	16	16	500	0.6	11500	7700	317	5500	8000	120
LR5004KDD	47	20	16	16		0.6	11500	7700	317	5500	8000	120
LR5004KDDU	47	20	16	16	500	0.6	11500	7700	317	5500	8000	120
LR5005NPP	52	25	16	16		0.6	11600	8100	332	4700	7000	150
LR5005NPPU	52	25	16	16	500	0.6	11600	8100	332	4700	7000	150
LR5005KDD	52	25	16	16		0.6	11600	8100	332	4700	7000	150
LR5005KDDU	52	25	16	16	500	0.6	11600	8100	332	4700	7000	150
LR5006NPP	62	30	19	19		1	17200	11100	462	4000	6000	250
LR5006NPPU	62	30	19	19	500	1	17200	11100	462	4000	6000	250
LR5006KDD	62	30	19	19		1	17200	11100	462	4000	6000	250
LR5006KDDU	62	30	19	19	500	1	17200	11100	462	4000	6000	250
LR5007NPP	68	35	20	20		1	17600	13100	490	4000	5300	300
LR5007NPPU	68	35	20	20	500	1	17600	13100	490	4000	5300	300
LR5007KDD	68	35	20	20		1	17600	13100	490	4000	5300	300
LR5007KDDU	68	35	20	20	500	1	17600	13100	490	4000	5300	300
LR5200NPP	32	10	14	14		0.6	6800	4050	168	8000	11000	70
LR5200NPPU	32	10	14	14	500	0.6	6800	4050	168	8000	11000	70
LR5200KDD	32	10	14	14		0.6	6800	4050	168	8000	11000	70
LR5200KDDU	32	10	14	14	500	0.6	6800	4050	168	8000	11000	70
LR5201NPP	35	12	15.9	15.9		0.6	8600	5100	211	7500	10000	80
LR5201NPPU	35	12	15.9	15.9	500	0.6	8600	5100	211	7500	10000	80
LR5201KDD	35	12	15.9	15.9		0.6	8600	5100	211	7500	10000	80
LR5201KDDU	35	12	15.9	15.9	500	0.6	8600	5100	211	7500	10000	80
LR5202NPP	40	15	15.9	15.9		0.6	9800	6200	258	7000	10000	110
LR5202NPPU	40	15	15.9	15.9	500	0.6	9800	6200	258	7000	10000	110
LR5202KDD	40	15	15.9	15.9		0.6	9800	6200	258	7000	10000	110
LR5202KDDU	40	15	15.9	15.9	500	0.6	9800	6200	258	7000	10000	110
LR5203NPP	47	17	17.5	17.5		0.6	12600	8200	342	5500	7500	170
LR5203NPPU	47	17	17.5	17.5	500	0.6	12600	8200	342	5500	7500	170
LR5203KDD	47	17	17.5	17.5		0.6	12600	8200	342	5500	7500	170
LR5203KDDU	47	17	17.5	17.5	500	0.6	12600	8200	342	5500	7500	170
LR5204NPP	52	20	20.6	20.6		1	15800	10500	433	5000	7000	230

LR5204NPPU	52	20	20.6	20.6	500	1	15800	10500	433	5000	7000	230
LR5204KDD	52	20	20.6	20.6		1	15800	10500	433	5000	7000	230
LR5204KDDU	52	20	20.6	20.6	500	1	15800	10500	433	5000	7000	230
LR5205NPP	62	25	20.6	20.6		1	18500	13000	532	4500	6500	340
LR5205NPPU	62	25	20.6	20.6	500	1	18500	13000	532	4500	6500	340
LR5205KDD	62	25	20.6	20.6		1	18500	13000	532	4500	6500	340
LR5205KDDU	62	25	20.6	20.6	500	1	18500	13000	532	4500	6500	340
LR5206NPP	72	30	23.8	23.8		1	24600	21400	880	3500	5000	510
LR5206NPPU	72	30	23.8	23.8	500	1	24600	21400	880	3500	5000	510
LR5206KDD	72	30	23.8	23.8		1	24600	21400	880	3500	5000	510
LR5206KDDU	72	30	23.8	23.8	500	1	24600	21400	880	3500	5000	510
LR5207NPP	80	35	27	27		1.1	30500	22400	927	2800	3900	660
LR5207NPPU	80	35	27	27	500	1.1	30500	22400	927	2800	3900	660
LR5207KDD	80	35	27	27		1.1	30500	22400	927	2800	3900	660
LR5207KDDU	80	35	27	27	500	1.1	30500	22400	927	2800	3900	660
LR5208NPP	85	40	30.2	30.2		1.1	34500	25500	1060	2500	3500	750
LR5208NPPU	85	40	30.2	30.2	500	1.1	34500	25500	1060	2500	3500	750
LR5208KDD	85	40	30.2	30.2		1.1	34500	25500	1060	2500	3500	750
LR5208KDDU	85	40	30.2	30.2	500	1.1	34500	25500	1060	2500	3500	750
LR5302NPP	47	15	19	19		1	14600	9200	380	6500	10000	150
LR5302NPPU	47	15	19	19	500	1	14600	9200	380	6500	10000	150
LR5302KDD	47	15	19	19		1	14600	9200	380	6500	10000	150
LR5302KDDU	47	15	19	19	500	1	14600	9200	380	6500	10000	150
LR5303NPP	52	17	22.2	22.2		1	17200	11100	462	4700	6500	210
LR5303NPPU	52	17	22.2	22.2	500	1	17200	11100	462	4700	6500	210
LR5303KDD	52	17	22.2	22.2		1	17200	11100	462	4700	6500	210
LR5303KDDU	52	17	22.2	22.2	500	1	17200	11100	462	4700	6500	210
LR5304NPP	62	20	22.2	22.2		1.1	21100	14500	606	4500	6500	340
LR5304NPPU	62	20	22.2	22.2	500	1.1	21100	14500	606	4500	6500	340
LR5304KDD	62	20	22.2	22.2		1.1	21100	14500	606	4500	6500	340
LR5304KDDU	62	20	22.2	22.2	500	1.1	21100	14500	606	4500	6500	340
LR5305NPP	72	25	25.4	25.4		1.1	27500	19500	813	3900	5500	500
LR5305NPPU	72	25	25.4	25.4	500	1.1	27500	19500	813	3900	5500	500
LR5305KDD	72	25	25.4	25.4		1.1	27500	19500	813	3900	5500	500
LR5305KDDU	72	25	25.4	25.4	500	1.1	27500	19500	813	3900	5500	500
LR5306NPP	80	30	30.2	30.2		1.1	36500	26500	1100	3100	4300	670
LR5306NPPU	80	30	30.2	30.2	500	1.1	36500	26500	1100	3100	4300	670
LR5306KDD	80	30	30.2	30.2		1.1	36500	26500	1100	3100	4300	670
LR5306KDDU	80	30	30.2	30.2	500	1.1	36500	26500	1100	3100	4300	670
LR5307NPP	90	35	34.9	34.9		1.5	44500	33000	1370	2500	3600	970
LR5307NPPU	90	35	34.9	34.9	500	1.5	44500	33000	1370	2500	3600	970
LR5307KDD	90	35	34.9	34.9		1.5	44500	33000	1370	2500	3600	970
LR5307KDDU	90	35	34.9	34.9	500	1.5	44500	33000	1370	2500	3600	970
LR5308NPP	100	40	36.5	36.5		1.5	56000	42000	1750	2300	3300	1200
LR5308NPPU	100	40	36.5	36.5	500	1.5	56000	42000	1750	2300	3300	1200
LR5308KDD	100	40	36.5	36.5		1.5	56000	42000	1750	2300	3300	1200
LR5308KDDU	100	40	36.5	36.5	500	1.5	56000	42000	1750	2300	3300	1200