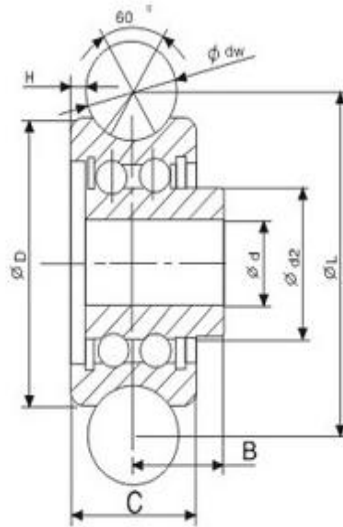


带"哥特式"圆弧槽的导轨滚轮 – Sg系列
 Track rollers with Gothic arch groove – type SG
 d 5-8 mm



Part No.	Dimensions (mm)								Load Ratings			Weight
	dw	d	D	C	B	L	d2	H	Cw (KN)	Cow (KN)	Fr perm (KN)	≈(g)
SG15	6	5	17	8	5.75	20.46	8.6	1	1.27	0.82	1.3	8
SG15-10	10	5	17	8	5.75	25.5	8.6	1	1.27	0.82	1.3	9
SG20	8	6	24	11	7.25	28.62	11.1	1.2	3.4	1.7	1.3	25
SG25	10	8	30	14	8.5	35.77	13	1.5	3.67	2.28	1.3	49
SG35	12	12	42	19	12.5	48.93	18	1.5	8.5	5.1	5.1	136
SG15N	6	5	17	8	5.75	20.46	8.6	0.5	1.27	0.82	1.3	8
SG20N	8	6	24	11	7.25	28.62	11.1	0.7	3.4	1.7	1.3	25
SG25N	10	8	30	14	8.5	35.77	13	1	3.67	2.28	1.3	49
SG35N	12	12	42	19	12.5	48.93	18	1	8.5	5.1	5.1	136